

Vipros III Z/K3610NT with AMNC-F Control Layout Drawings



Amada America Inc.
7025 Firestone Blvd.
Buena Park CA. 90621
Fax.: (714) 739 4099
Email info@amada.com

Warning

- ❑ Qualified personnel must complete all work.
- ❑ Do not apply power to the Vipros III 3610NT until an Amada Service Engineer is present and has instructed you to do so.
- ❑ Not all information required to install the Vipros III Z/K 3610 NT is included with this document. Specific details for proper installation are found in the document *Vipros III Z/K 3610 NT with AMNC-F User Pre-installation Guide* available at the Amada America Internet web site at <http://www.amada.com/>.
- ❑ Considerable effort has been made to ensure that this manual is free of inaccuracies and omissions. However, as we are constantly improving our product, some of the data contained herein may be out of date. Please check our Internet site, <http://www.amada.com/>, for the latest release of this document.

Contents

Planning the Location of the Vipros III Z/K 3610 NT	4
Plan View - Vipros III Z/K 3610 NT	5
Plan View - Vipros III Z/K 3610 NT (shown with MP1530 Loader)	6
Detailed Plan View - Vipros III Z/K 3610 NT	7
Elevation View - Vipros III Z/K 3610 NT	8
End View - Vipros III Z/K 3610 NT	9
Conveyor Options – Single Steel Track Conveyor.....	10
Conveyor Options – Rubber Belt Dual Conveyor.....	11
Conveyor Options – “Generic” Dual Rubber Belt Conveyor.....	12
Chiller Placement.....	13

Planning the Location of the Vipros III Z/K 3610 NT

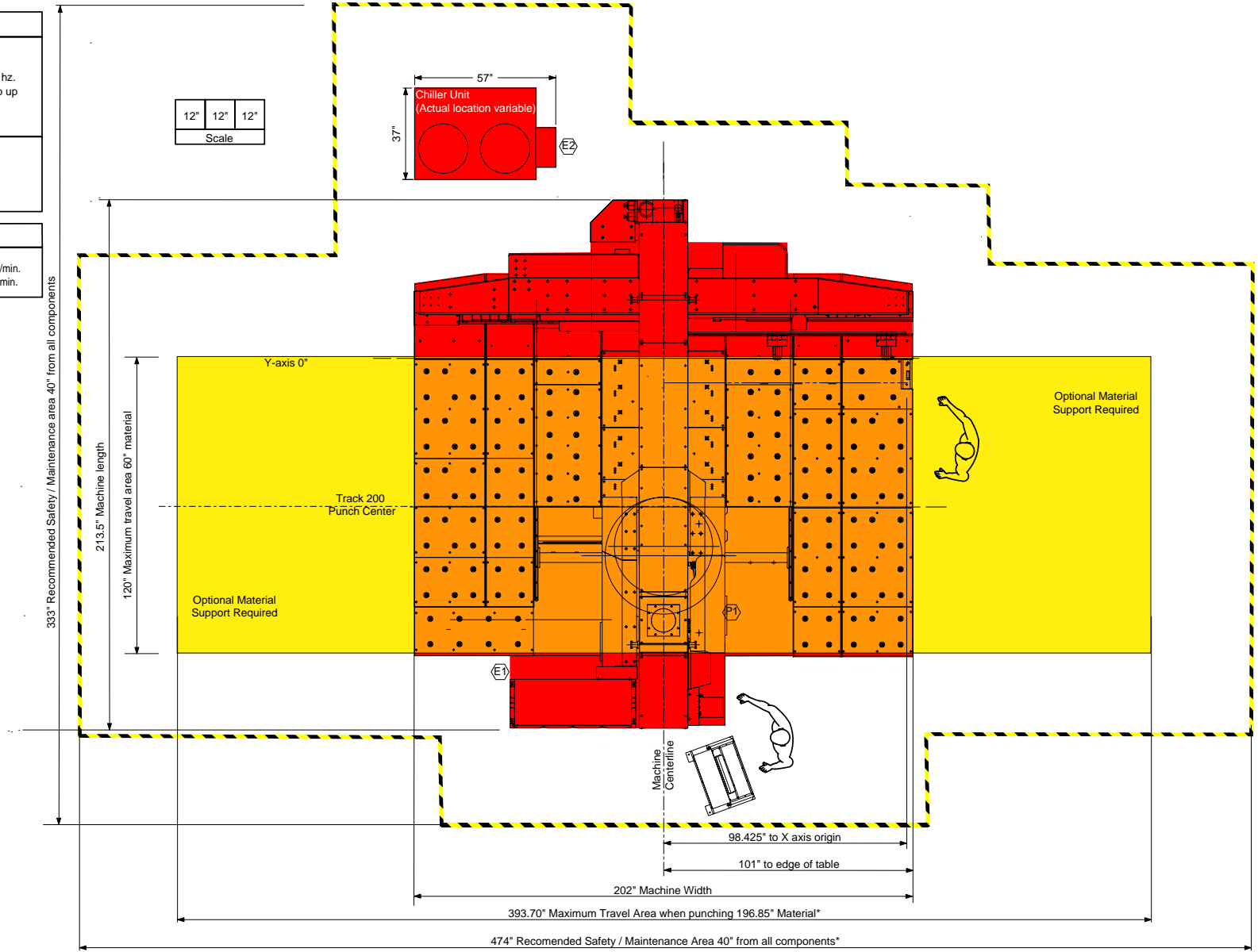
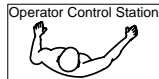
The following diagrams provide the details for positioning the Vipros III Z/K 3610 NT.

- No obstacles are allowed in the worksheet travel area and the ceiling must be at least 40" above the Vipros III Z/K 3610 NT.
- All of the recommended maintenance areas should be used, but at a minimum the doors of the NC unit must be able to be opened. Any reduction of the listed maintenance areas may increase time and expense of installation and maintenance.
- The Vipros III Z/K 3610 NT machine and control must be protected from direct sunlight or other heat sources. Direct exposure to direct heating sources such as infrared heaters have been shown to affect punch and die alignment.
- The positioning of the SBC EX5.5 Chiller is very flexible.

Plan View - Vipros III Z/K 3610 NT

Electrical Requirements	
E1	Vipros III Z/K 3610NT 200/ 3 / 60 ±10%, 30 kVA 86 amps @ 200VAC / 3phase / 60 hz. To operate at 230 / 460 VAC a step up transformer is required.
E2	SBC EX5.5 Chiller 230 or 460 / 3 / 60 ±10% 15 kVA 19 amps @ 460 / 3 / 60 VAC

Compressed Air Requirements	
A1	Vipros III K 3610NT 80 psi @ 8.8 ft ³ /min. Vipros III Z 3610NT 80 psi @ 19 ft ³ /min.

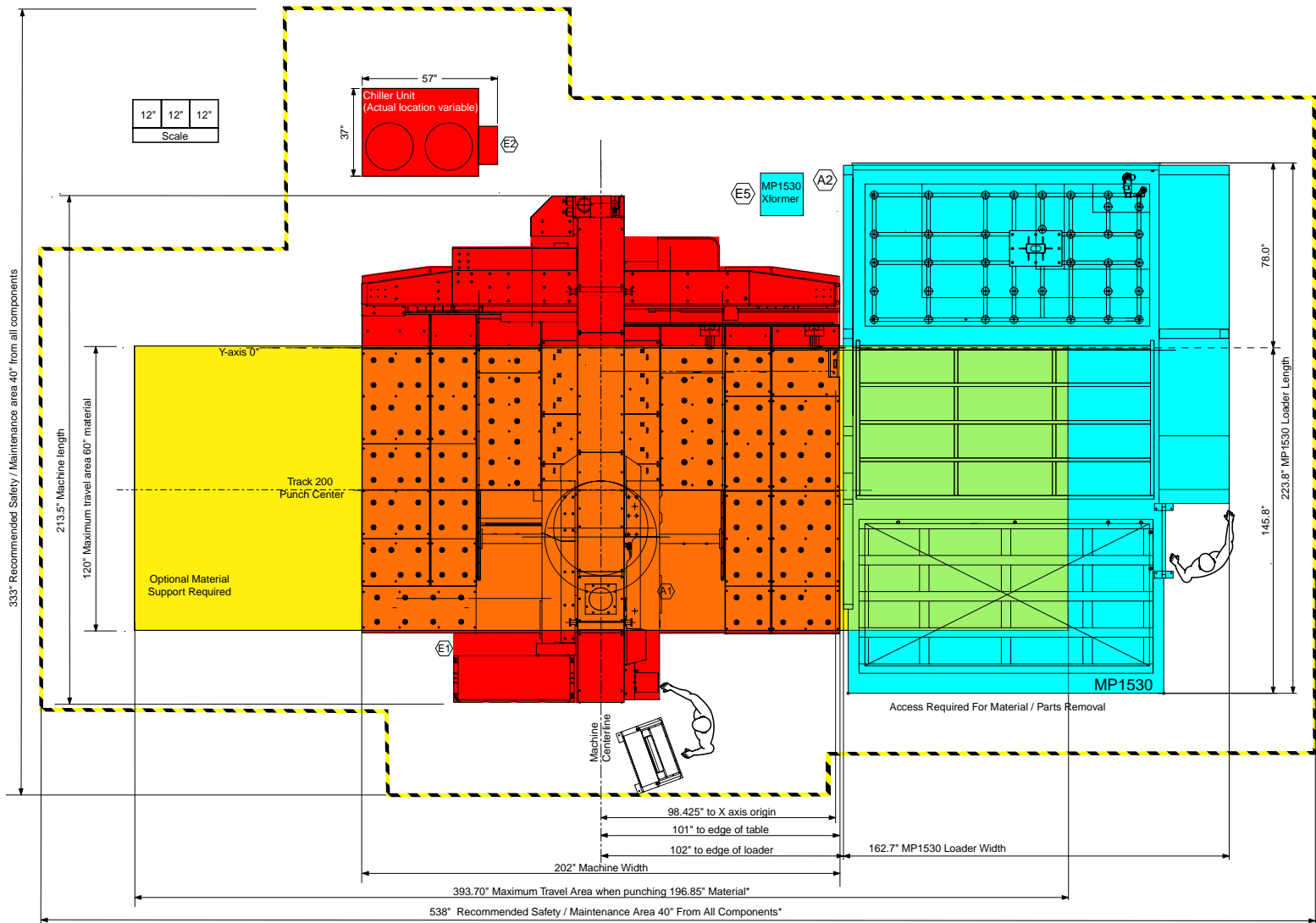
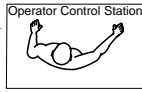


* Actual clearance depends on the maximum size of the material that will be punched
 - Always use sub tables to support sheets larger than 100"

Plan View - Vipros III Z/K 3610 NT (shown with MP1530 Loader)

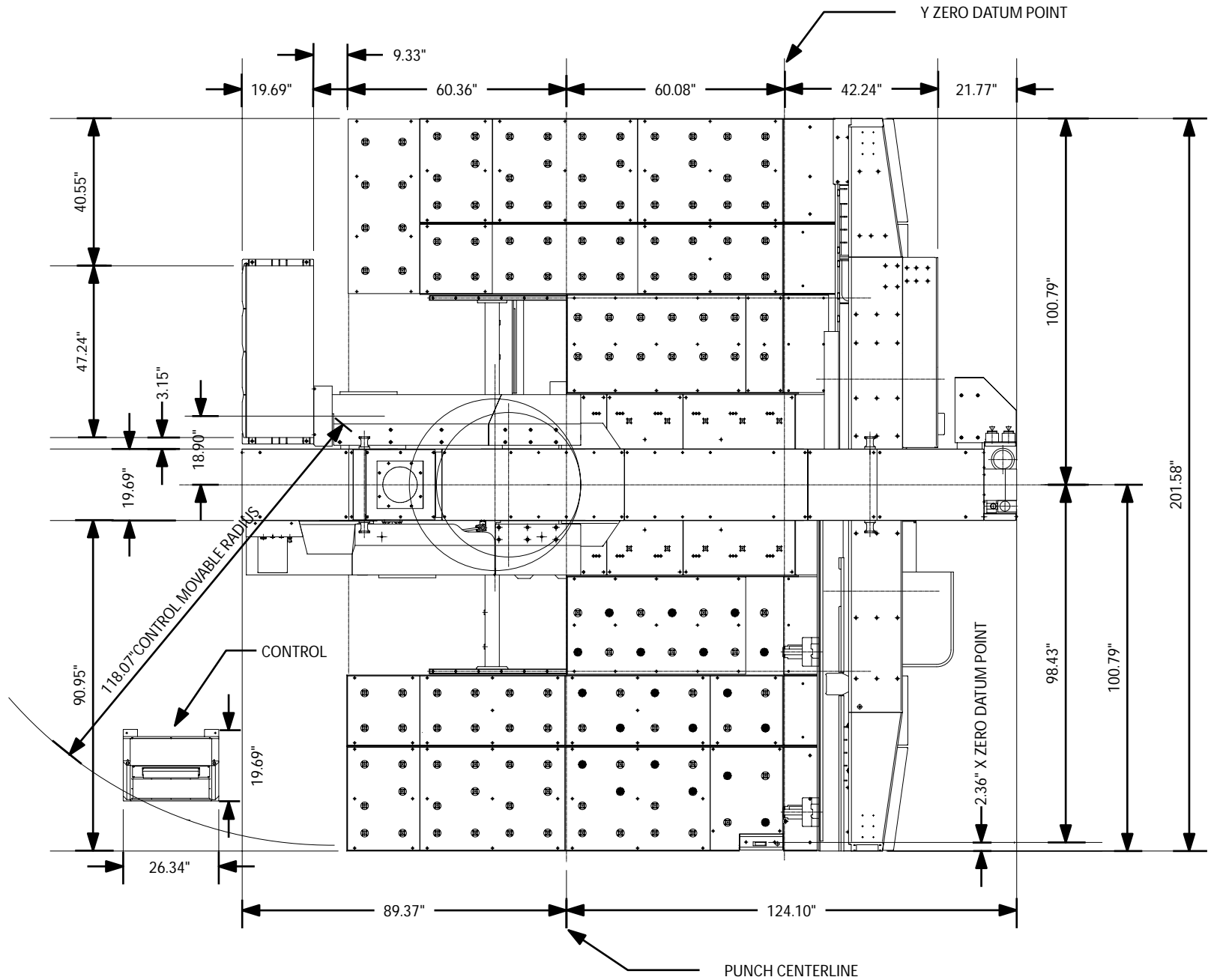
Electrical Requirements	
E1	Vipros III Z/K 3610NT 200 / 3 / 60 ±10%, 30 kVA 86 amps @ 200VAC / 3phase / 60 hz. To operate at 230 / 460 VAC a step up transformer is required.
E2	SBC EX5.5 Chiller 230 or 460 / 3 / 60 ±10% 15 kVA 19 amps @ 460 / 3 / 60 VAC 37 amps @ 230 / 3 / 60 VAC
E5	MP1530 Loader 200 / 3 / 60 ±10%, 10 Kva To operate at 230 / 460 VAC a step up transformer is required.

Compressed Air Requirements	
A1	Vipros III K 3610NT 80 psi @ 8.8 ft ³ /min. Vipros III Z 3610NT 80 psi @ 19 ft ³ /min.
A2	MP1530 Loader 80 psi @ 31.8 ft ³ /min.

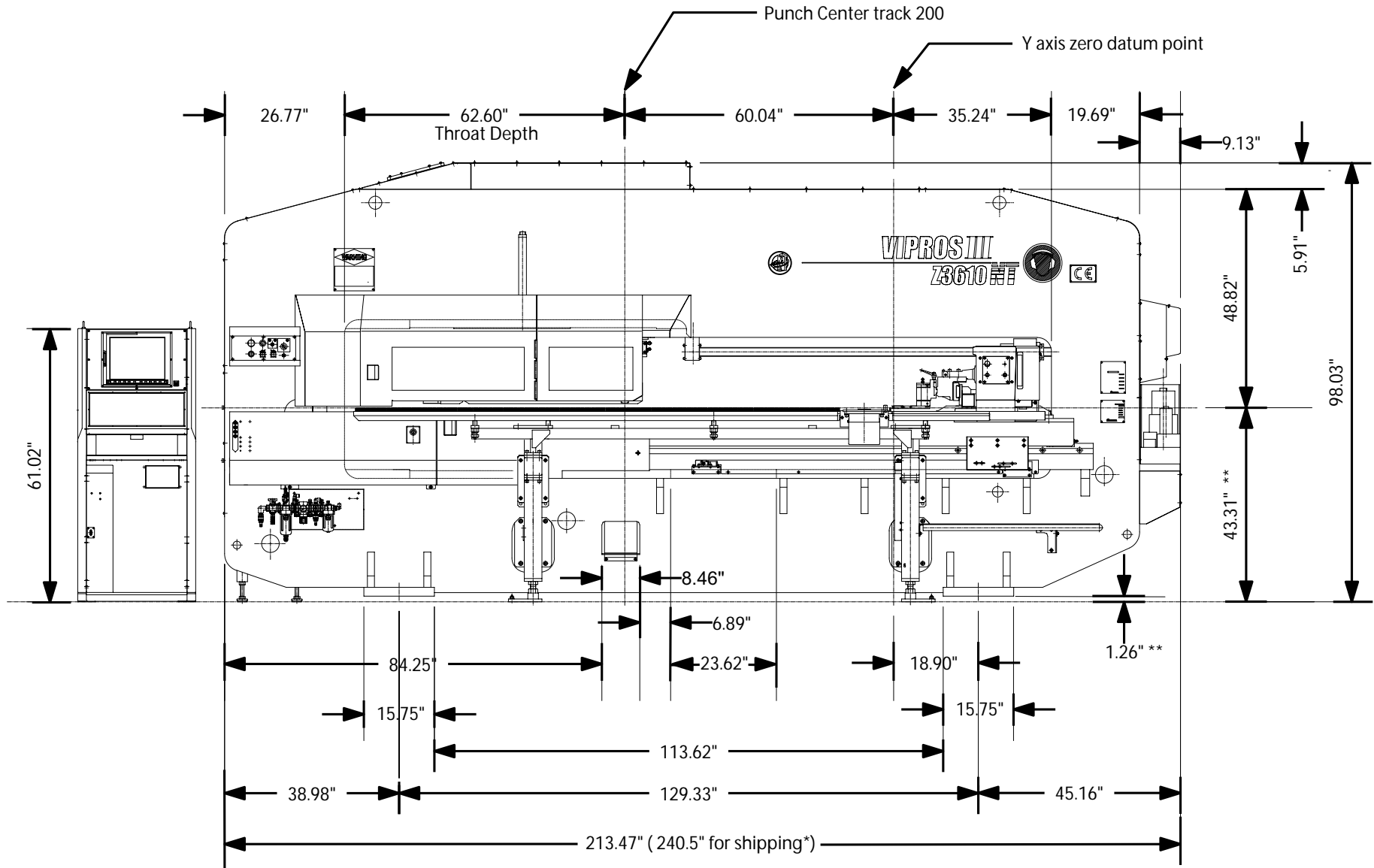


* Actual clearance depends on the maximum size of the material that will be punched
 - Always use sub tables to support sheets larger than 100"

Detailed Plan View - Vipros III Z/K 3610 NT



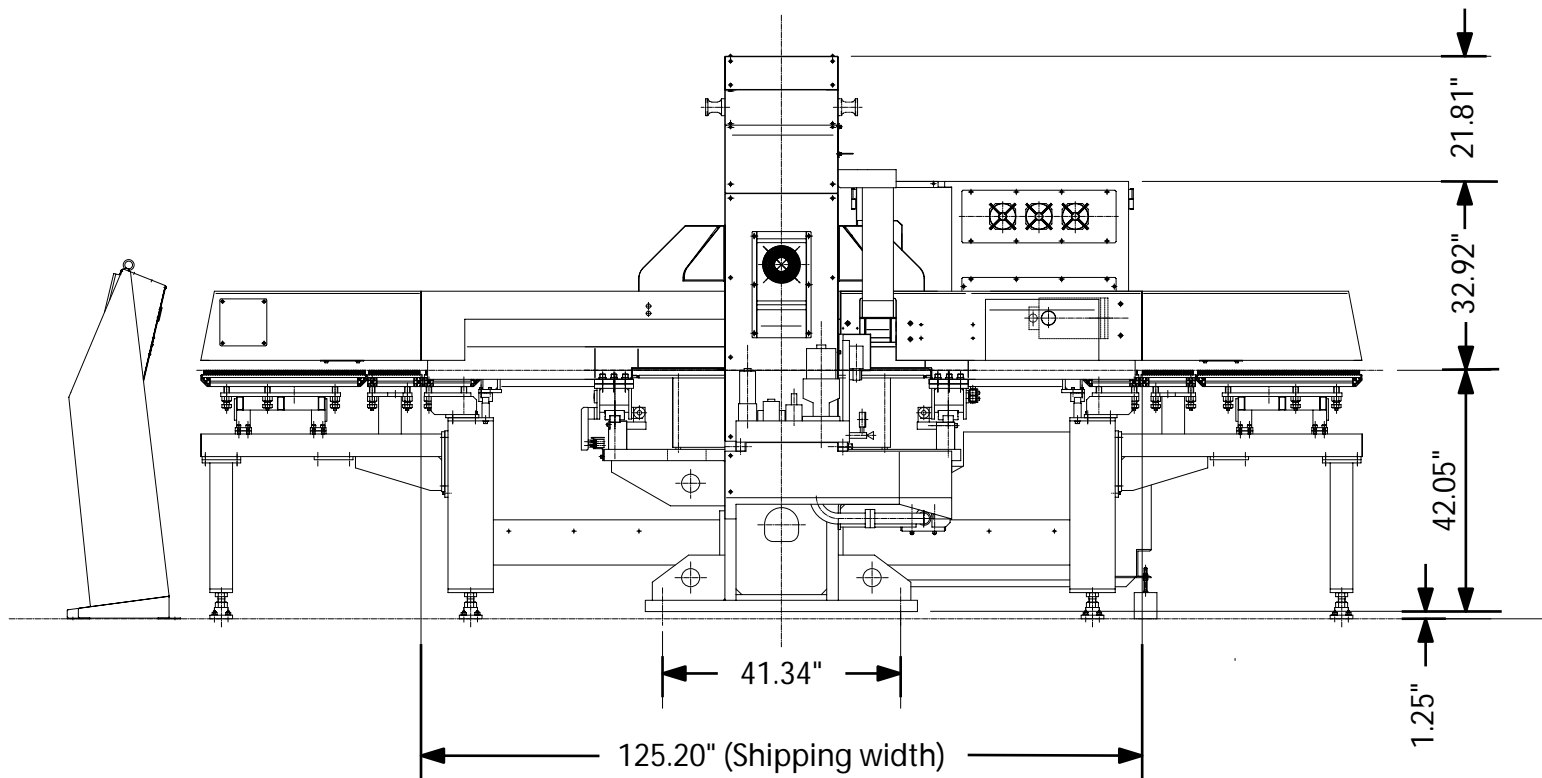
Elevation View - Vipros III Z/K 3610 NT



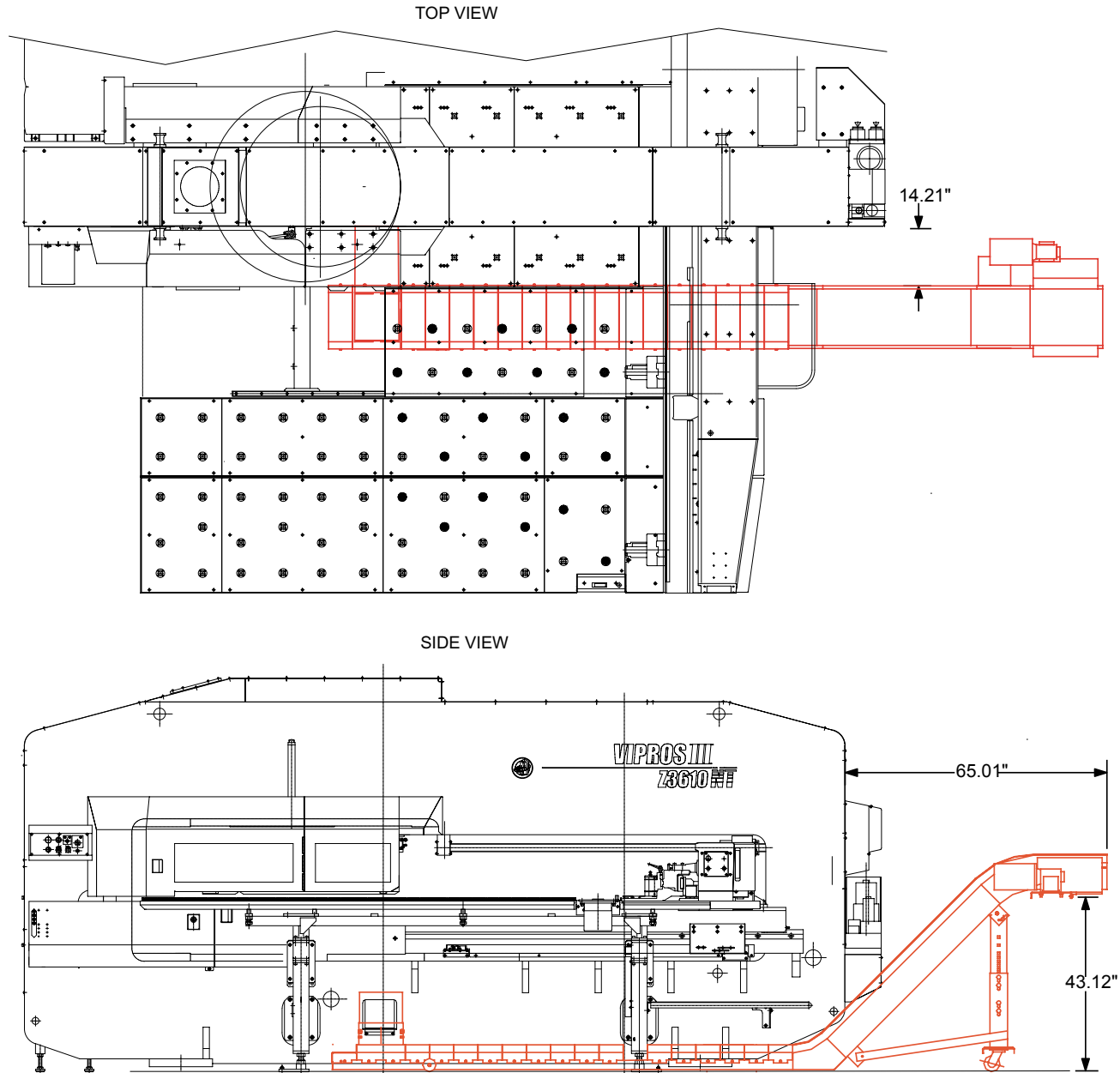
* Electrical Cabinet is attached to left side of frame for shipping adding 27" to overall length

** Material Pass line may vary due to installation of different options

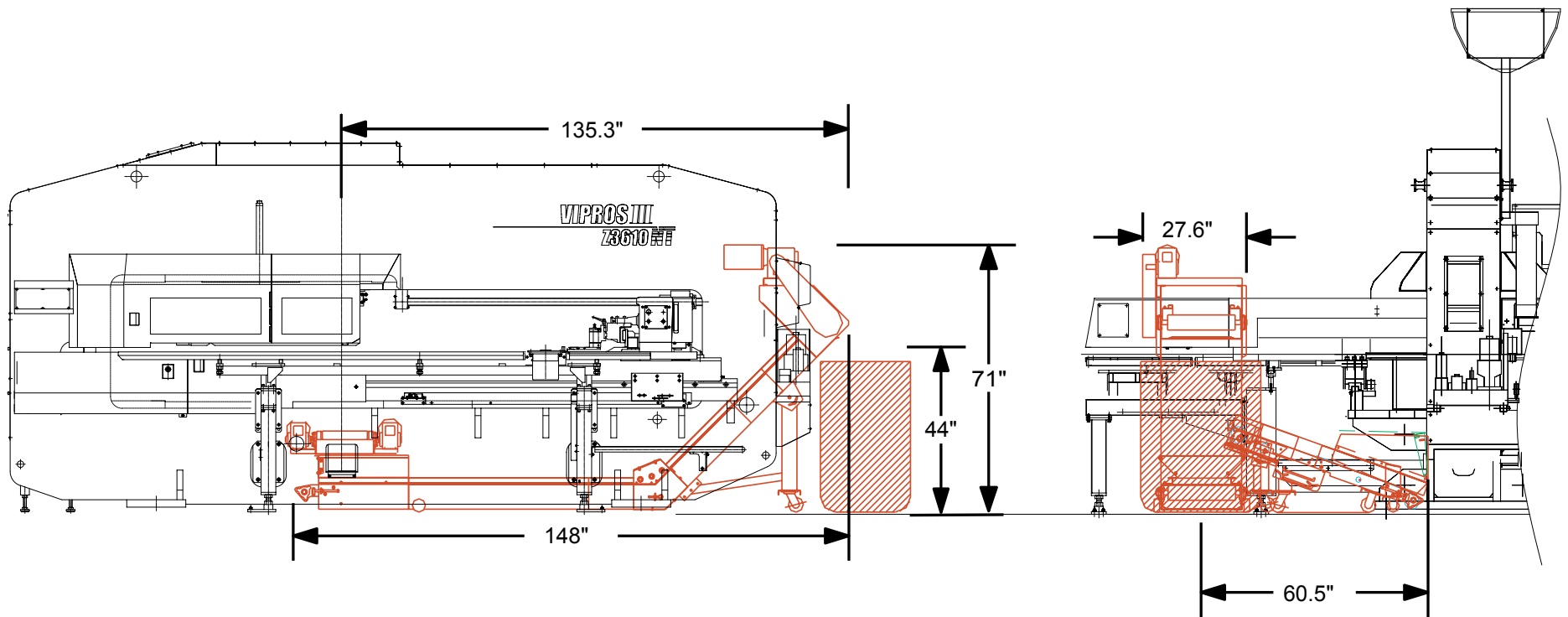
End View - Vipros III Z/K 3610 NT



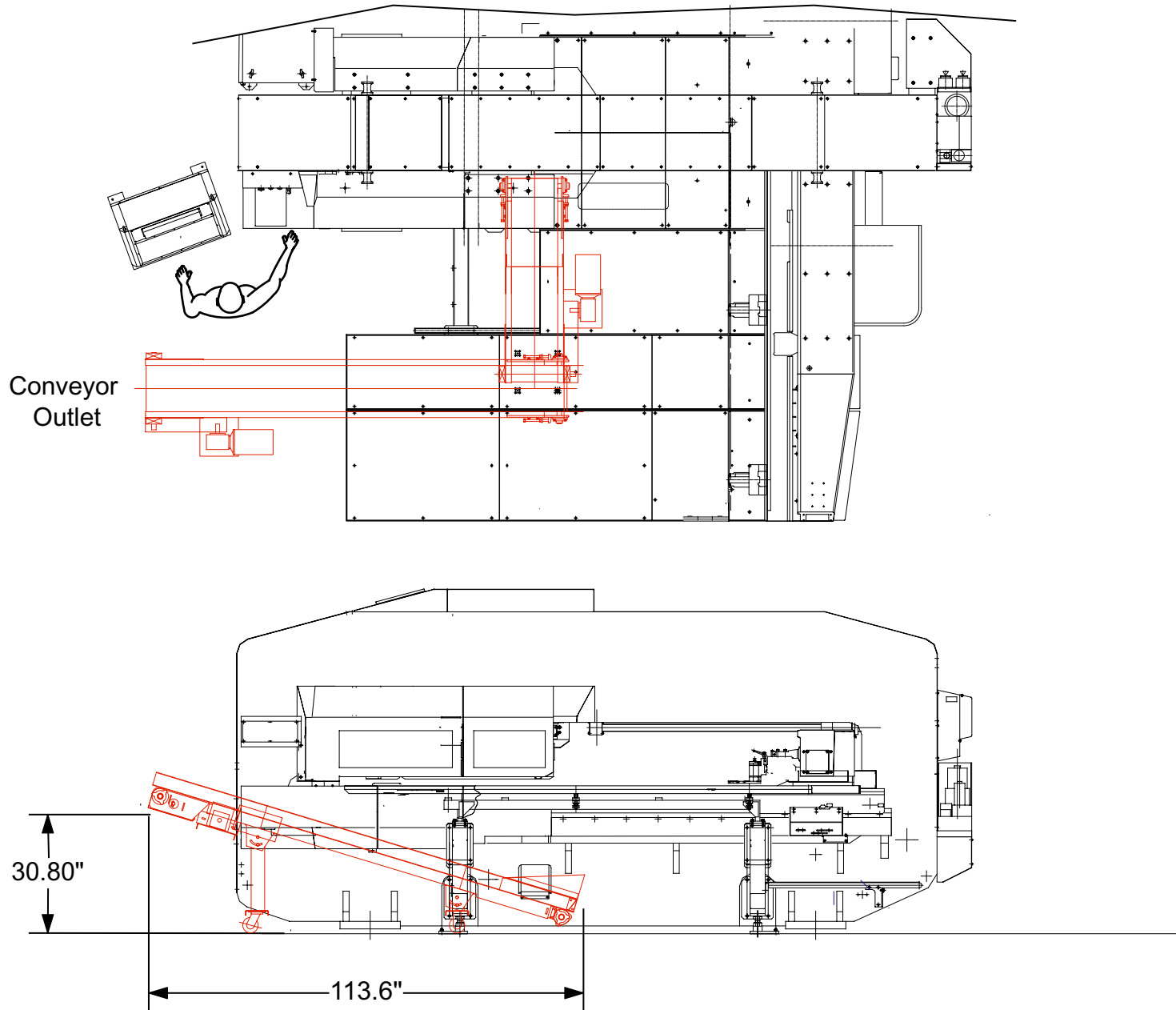
Conveyor Options – Single Steel Track Conveyor



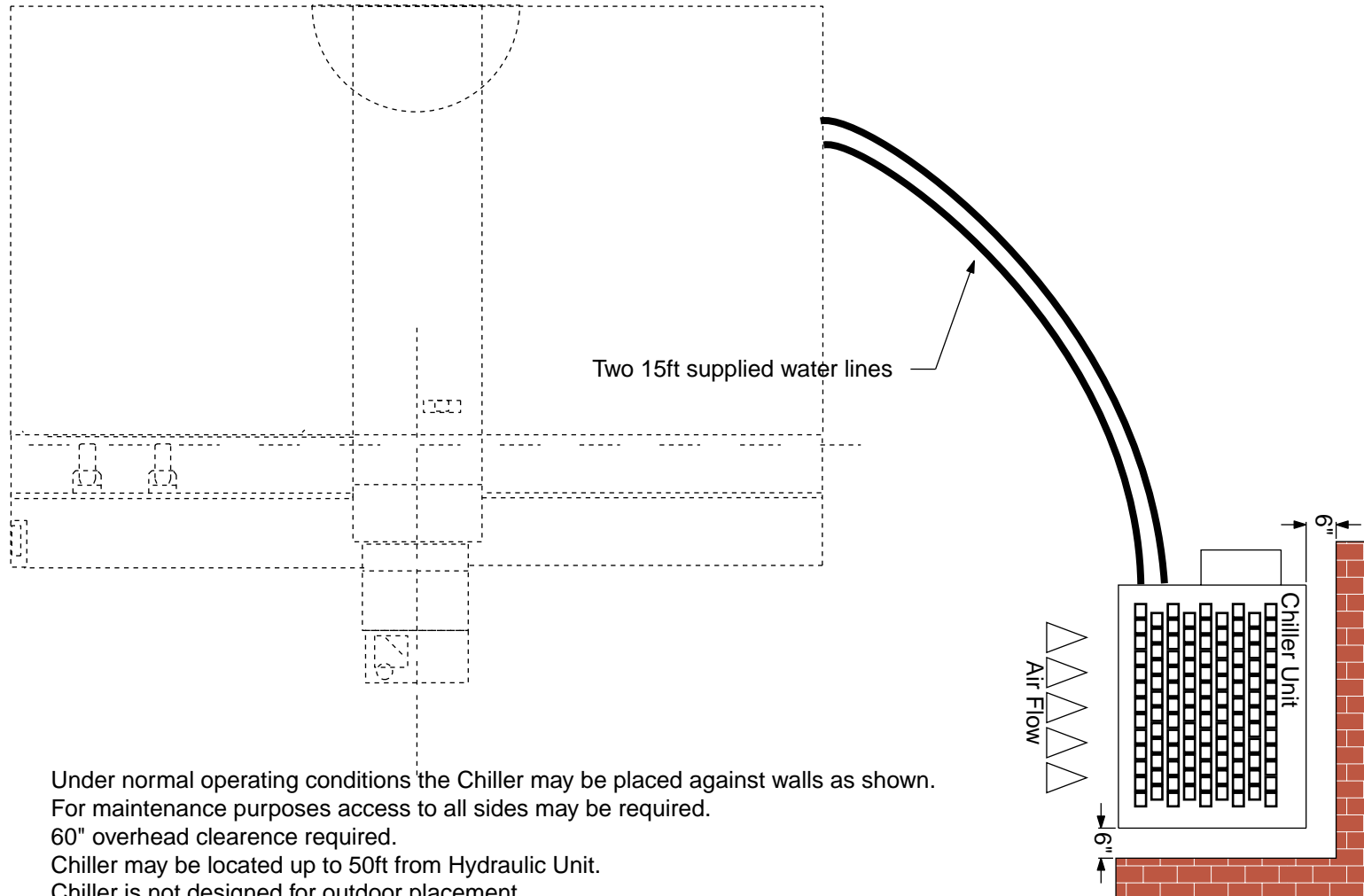
Conveyor Options – Rubber Belt Dual Conveyor



Conveyor Options – “Generic” Dual Rubber Belt Conveyor



Chiller Placement



Under normal operating conditions the Chiller may be placed against walls as shown.
 For maintenance purposes access to all sides may be required.
 60" overhead clearance required.
 Chiller may be located up to 50ft from Hydraulic Unit.
 Chiller is not designed for outdoor placement.